

Gaplock PRO

...AUTOMATED LOCK FOR OVERHEAD DOORS

Operation and Installation Manual

- Automatically locks commercial, residential and delivery truck sectional roll-up overhead doors every time they're closed. **DO NOT** use *Gaplock PRO* on commercial doors with automated openers.
- Compatible with any access control system capable of supplying the switched voltage & amperage required for the *Gaplock PRO* model used.
- Mounts inside, on the door track, on either side of an overhead door to prevent tampering and incidental damage. (Requires 2" of clearance between door track and first obstruction such as a wall)

Gaplock Manual Release Instructions

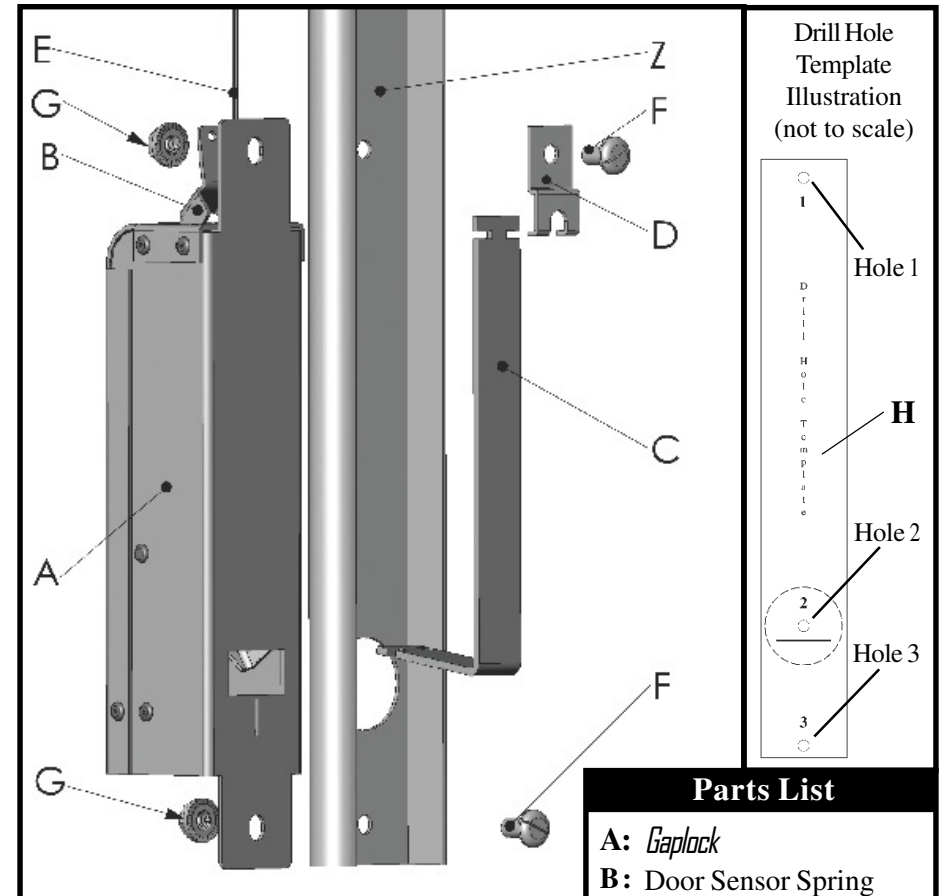
Locate red manual release lever atop of *Gaplock* and shift it away from the garage door track to manually unlock overhead door.

IMPORTANT SAFETY INFORMATION

An Overhead Door (Door) is a large, heavy object that moves with the help of springs under high tension. Since moving objects and springs under tension can cause injuries, your safety and the safety of others depends on you reading and following the information in this manual.

WARNING: To Prevent Serious Injury or Death

1. **READ AND FOLLOW ALL SAFETY, INSTALLATION AND OPERATION INSTRUCTIONS.** If you have any questions or do not understand any instruction, email: tech@astlocks.com.
2. Keep people clear of opening while Door is moving.
3. **DO NOT** operate a Door that jams or one that has a broken spring.
4. **DO NOT** try to remove, repair or adjust springs or anything to which Door spring parts are fastened, such as wood blocks, steel brackets, cables or other like items.
5. Have *Gaplock PRO* installed by a professional.
6. All wiring is to be employed as required by local codes.



Drill Hole Template Illustration (not to scale)

Hole 1

Hole 2

Hole 3

H

Parts List

- A: *Gaplock*
- B: Door Sensor Spring
- C: Lock Bar
- D: Lock Bar Hinge
- E: *Gaplock PRO* Wires (8")
- F: 1/4" Bolt (x2)
- G: 1/4" Nut (x2)
- H: Drill Hole Template
- Z: Door Track

Tools Required For Installation

- Drill
- 1/4" Drill Bit
- 1-1/4" Hole Saw
- Small Round File
- Wire Cutters
- Wire Strippers
- Screwdriver
- Hammer
- 7/16" Wrench*

* or equivalent tool

Gaplock Installation Instructions

Be sure to follow and complete all eleven (11) steps below

1. With overhead door closed completely, align supplied drill hole template on the inside of door track (Z) on either side of door, so that (hole 1) is on top and the dark horizontal line within large dotted circle is positioned right above third wheel of door (up from floor).
2. Place a mark on inside of track through (hole 2) of template, then remove template and open overhead door.
3. Realign template inside track so that (hole 1) is on top and the mark previously placed on track is visible through (hole 2) in template, then place additional marks onto inside of track through (holes 1 & 3) of template.
4. Drill 1/4" holes at the marks placed through template (holes 1 & 3) using a 1/4" drill bit and a 1 1/4" hole at the mark placed through template (hole 2) using a 1 1/4" hole saw.

Deburr holes using a small round file.

5. Insert supplied 1/4" bolt (F) through (hole 3) in track and slot at bottom of *Gaplock* (A), loosely secure with supplied 1/4" (G) nut so that *Gaplock* is aligned vertically along track.
6. Insert shorter end of supplied lock bar (C) through (hole 2) in track and into *Gaplock* and interlock lock bar with lock arm, by sliding slotted end of lock bar up lock arm.
7. Align supplied lock bar hinge (D) onto top of lock bar.
8. Insert supplied 1/4" bolt (F) through lock bar hinge, (hole 1) in track and upper slot in *Gaplock*, loosely secure with supplied 1/4" nut (G).
9. Check lock bar movement through track and align *Gaplock* to ensure smooth operation.
10. Tighten the 1/4" nuts and bolts with a screwdriver and 7/16" wrench (or equivalent tool).
11. Carefully connect *Gaplock PRO* wires (E) to switched output (wires) of access control system (source), and insulate. Polarity of *Gaplock PRO* wires is not important.

Source voltage and amperage output capabilities must correctly match input voltage & amperage requirements of *Gaplock PRO* model used, see below:

Model Number	Input Voltage Requirement (polarity not important)	Amperage Requirement
<i>Gaplock PRO</i> -12vdc	12 Volts Direct-Current (12vdc)	1600ma
<i>Gaplock PRO</i> -24vdc	24 Volts Direct-Current (24vdc)	1000ma

For further information, email: tech@astlocks.com

Limitation of Liability:

The maximum liability of Automated Security Technologies, Inc. (AST) to Buyer or any person or entity, based on, arising out of or in connection with the delivery, non-delivery, sale, installation, use or other employment of *Gaplock PRO*, whether for personal injury, wrongful death, property damage, or otherwise, shall in no case exceed the actual cost of *Gaplock PRO*. AST SHALL NOT BE LIABLE FOR ANY SPECIAL, INCIDENTAL, INDIRECT OR CONSEQUENTIAL DAMAGES OR FOR LOSS OF REVENUE EVEN IF THE DAMAGE, INJURY OR LOSS IS CAUSED BY THE NEGLIGENCE OR FAULT OF AST.

Limited Warranty:

AST warrants that *Gaplock PRO* will be free from defects in materials and workmanship for a period of one (1) year from the date of sale. The warranty shall not apply to any *Gaplock PRO* which has been repaired, altered or modified, or which has been subject to misuse, abuse, neglect, shipping or environmental damage, vandalism, or acts of God. THE WARRANTIES CONTAINED HEREIN ARE EXPRESSLY MADE IN LIEU OF ANY AND ALL OTHER WARRANTIES, EXPRESS OR IMPLIED, AND THE WARRANTIES OF MERCHANTABILITY AND FITNESS OR A PARTICULAR PURPOSE ARE EXPRESSLY DISCLAIMED. AST's obligations under this warranty shall be limited to, at AST's option, repair or replacement of *Gaplock PRO*, or payment of the cost of having *Gaplock PRO* repaired or replaced by AST. Buyer shall pay the cost of returning *Gaplock PRO* to AST; AST shall pay the cost of returning the repaired or replaced *Gaplock PRO* to Buyer.

Jurisdiction, Governing Law:

Buyer agrees that the exclusive jurisdiction and venue of any action with respect to *Gaplock PRO* shall be in the Superior Court of California for the County of Ventura and Buyer hereby submits to the exclusive jurisdiction and venue of such court for the purpose of any such action. Buyer agrees that the action shall be governed by California law.

Gaplock PRO

Automated Security Technologies, Inc
2470 Stearn St. #249, Simi Valley, CA 93063

astlocks.com