

Gaplock GDO

...the automated lock for automated garage doors

Operation and Installation Manual

- Automated sectional roll-up garage door lock that, automatically locks the door every time it's closed and automatically unlocks it when it's opened.
- Compatible only with a residential garage door opener (GDO) equipped with an A/C-motor (not compatible with D/C-motor equipped GDOs).
- Operates using existing GDO remote controls, wall switch/console and wireless keypad.
- Mounts on garage door track inside garage, on either side of a sectional roll-up garage door. (Requires 2" of clearance between door track and first obstruction such as a wall/cabinet.)

Gaplock Operating Instructions

Activating the GDO with its remote control, wall switch/console or wireless keypad simultaneously activates *Gaplock* to unlock.

Gaplock's lock bar retracts out of the track during the entire garage door open/close cycle, then automatically releases back into the track just above the roller wheel to lock the garage door when closed.

Gaplock Manual Release Instructions

Locate red manual release lever on top of *Gaplock* and shift it away from garage door track to manually unlock garage door.

IMPORTANT SAFETY INFORMATION

A Garage Door (Door) is a large, heavy object that moves with the help of springs under high tension and an electric motor. Since moving objects, springs under tension and electric motors can cause injuries, your safety and the safety of others depends on you reading and following the information in this manual. If you have questions or do not understand the information presented, email: tech@astlocks.com.

WARNING: To Prevent Serious Injury or Death

1. Mount automated lock on either track, above third wheel of Door.
2. Keep people clear of opening while Door is moving.
3. DO NOT allow children to play with the Door operator controls.
4. DO NOT operate a Door that jams or one that has a broken spring.
5. DO NOT try to remove, repair or adjust springs or anything to which Door spring parts are fastened, such as wood blocks, steel brackets, cables or other like items.

Important Emergency Release Instructions

In the event of an emergency there are two (2) procedures required before each automated garage door equipped with *Gaplock* can be manually opened:

1. Release garage door from garage door opener using the opener's red emergency release handle/cord.
2. Unlock *Gaplock* (mounted on garage door track) by shifting red manual release handle atop of *Gaplock* away from garage door track.

Emergency Release Test

Perform this test (of above procedures) at least once a month.

Caution: DO NOT perform this test while the garage door is open, as weak or broken springs may allow the door to fall rapidly, causing injury or death.

1. Close garage door.
2. Release garage door from garage door opener.
3. Release *Gaplock* mounted on garage door track.
4. Manually open and close garage door.
5. Re-engage (reset) both release mechanisms.

IMPORTANT INSTALLATION INSTRUCTIONS

To reduce the risk of injury or death:

1. **READ AND FOLLOW ALL SAFETY, INSTALLATION AND OPERATION INSTRUCTIONS.** If you have any questions or do not understand any instruction, email: tech@astlocks.com.
2. Have *Gaplock* installed by a professional in the garage door industry.
3. All wiring is to be employed as required by local codes.
4. Disconnect garage door opener from source of power before installing *Gaplock* and **DO NOT** reconnect opener to source of power until instructed to do so.
5. Install manual release signage label supplied with *Gaplock* next to GDO wall button/console.

Gaplock Manual Release Instructions

Locate red manual release lever atop of *Gaplock* and shift it away from the garage door track to manually unlock garage door.

Parts List

Parts Shown

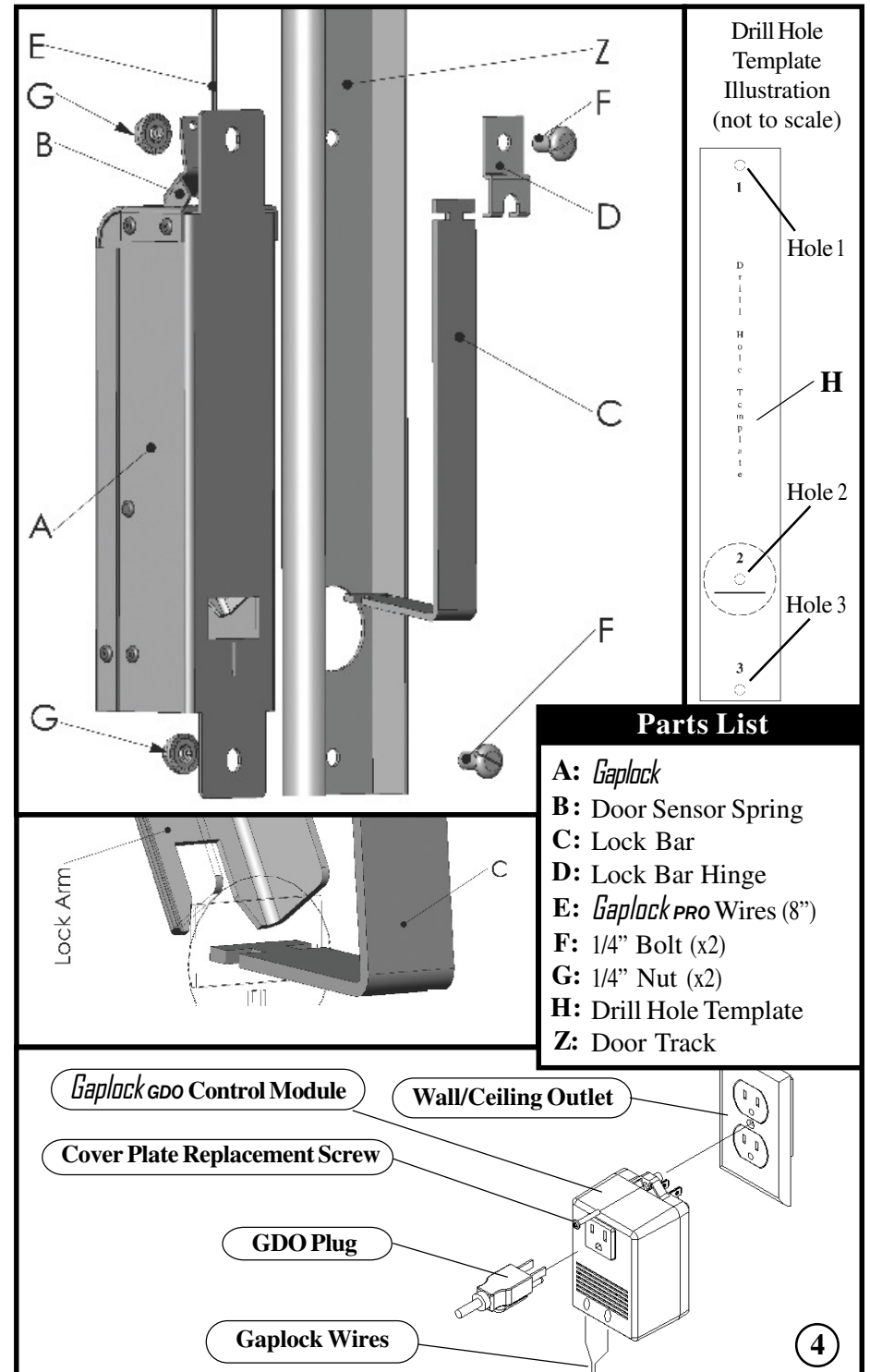
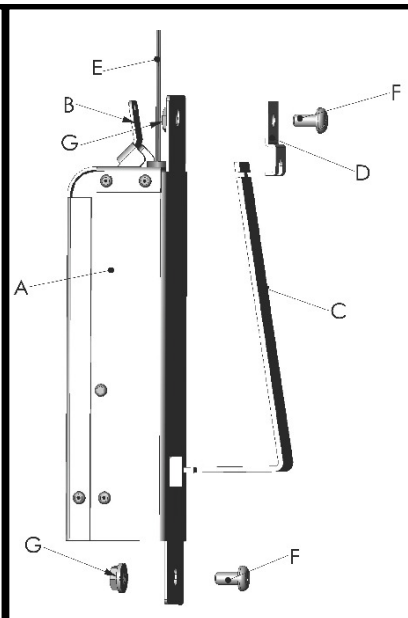
- A: *Gaplock*
- B: Red Manual Release lever
- C: Lock Bar
- D: Lock Bar Hinge
- E: *Gaplock GDO* Wires (30')
- F: 1/4" Bolts (x2)
- G: 1/4" Nuts (x2)

Parts Not Shown

- Drill Hole Template
- Gaplock GDO* Control Module (GCM)
- Manual Release Signage Label
- Staples (x6)
- Cover Plate Replacement Screw

Tools Required For Installation

- Drill
- 1 1/4" Hole Saw
- 7/16" Wrench
- Wire Cutters
- 1/4" Drill Bit
- Small Round File
- Phillips Screwdriver
- Hammer



Parts List

- A: *Gaplock*
- B: Door Sensor Spring
- C: Lock Bar
- D: Lock Bar Hinge
- E: *Gaplock PRO* Wires (8")
- F: 1/4" Bolt (x2)
- G: 1/4" Nut (x2)
- H: Drill Hole Template
- Z: Door Track

Gaplock GDO Control Module

Wall/Ceiling Outlet

Cover Plate Replacement Screw

GDO Plug

Gaplock Wires

4

Gaplock Installation Instructions

Be sure to follow and complete all seventeen (17) steps below

1. **UNPLUG GARAGE DOOR OPENER (GDO) FROM WALL/CEILING OUTLET.**
2. With garage door closed completely, align supplied drill hole template on the inside of door track (Z) on either side of door, so that hole (1) is on top and the dark horizontal line within dotted circle is positioned right above third wheel of door (up from floor).
3. Place a mark on inside of door track through hole (2) of template, then remove template and open garage door.
4. Realign template inside track so that hole (1) is on top and the mark previously placed on track is visible through hole (2) in template, then place additional marks onto inside of track through holes (1 & 3) of template.
5. Drill 1/4" holes at the marks placed through template holes (1 & 3) using a 1/4" drill bit and a 1 1/4" hole at the mark placed through template hole (2) using a 1 1/4" hole saw.

Deburr holes using a small round file.

6. Insert supplied 1/4" bolt (F) through hole (3) in track and slot at bottom of *Gaplock* (A), loosely secure with supplied 1/4" (G) nut so that *Gaplock* is aligned vertically along track.
7. Insert shorter end of supplied lock bar (C) through hole (2) in track and into *Gaplock* and interlock lock bar with lock arm, by sliding slotted end of lock bar up lock arm.
8. Align supplied lock bar hinge (D) onto top of lock bar.
9. Insert supplied 1/4" bolt (F) through lock bar hinge, hole (1) in track and upper slot in *Gaplock*, loosely secure with supplied 1/4" nut (G).
10. Check lock bar movement through track and align *Gaplock* to ensure smooth operation.
11. Tighten the 1/4" nuts and bolts with a 7/16" wrench and flatblade screwdriver.
12. Carefully route *Gaplock* GDO wires (E) to GDO. Secure in place using supplied staples.

Use care not to pinch or cut wires when securing.

DO NOT ROUTE WIRES IN PATH OF MOVING OBJECTS.

13. Remove and discard the center mounting screw securing the wall/ceiling outlet cover plate (**DO NOT remove cover plate**).
14. Hold the cover plate in place and plug in the *Gaplock* GDO control module (GCM), aligning the top mounting hole with the center mounting hole in cover plate.
15. Insert the supplied cover plate replacement screw through the top mounting hole and cover plate hole and tighten to secure the control module.
16. Strip back 1/2" of insulation from *Gaplock* GDO wire ends and connect them to the terminals on the GCM.
17. Plug GDO power cord into GCM.

DO NOT OPERATE THE GDO UNTIL INSTRUCTED TO DO SO.

Mandatory Garage Door Opener Adjustment

DO NOT proceed without performing this mandatory adjustment.
Failure to complete this adjustment may cause damage to the garage door and/or garage door opener (GDO).

1. Shift *Gaplock*'s red manual release lever to unlocked position.
2. Locate the GDO instruction manual and up-force sensor adjuster.
3. Following the GDO instructions adjust the GDO's up-force sensor to a (minimal) setting that shuts off the GDO in the unlikely event a jam occurs, to avoid damaging the garage door and/or GDO.

Testing *Gaplock*

Before testing *Gaplock* make sure mandatory GDO adjustment described above was completed and garage door is in the fully opened position.

1. Shift *Gaplock*'s red manual release lever to locked position.
2. Using the GDO remote control or wall switch/console, activate the GDO to close the garage door.
3. Verify that during step (2) lock arm (B) retracts into *Gaplock* until the garage door is fully closed, then automatically releases out into the garage door track to lock the door.
4. If *Gaplock* did not function properly during test, check system wiring.

Caution: DO NOT open the garage door if *Gaplock* did not function properly during this test without first shifting *Gaplock*'s red manual release lever to unlocked position.

Mounting Manual Release Signage Label

1. Remove backing from supplied manual release signage label and stick to wall next to GDO wall button/console (use tacks or staples to permanently mount label).
2. Make certain all users read and understand all information on label.

For further information, email: tech@astlocks.com

Warranty

Limitation of Liability:

The maximum liability of Automated Security Technologies, Inc. (AST) to Buyer or any person or entity, based on, arising out of or in connection with the delivery, non-delivery, sale, installation, use or other employment of *Gaplock GDO*, whether for personal injury, wrongful death, property damage, or otherwise, shall in no case exceed the actual cost of *Gaplock GDO*. AST SHALL NOT BE LIABLE FOR ANY SPECIAL, INCIDENTAL, INDIRECT OR CONSEQUENTIAL DAMAGES OR FOR LOSS OF REVENUE EVEN IF THE DAMAGE, INJURY OR LOSS IS CAUSED BY THE NEGLIGENCE OR FAULT OF AST.

Limited Warranty:

AST warrants that *Gaplock GDO* will be free from defects in materials and workmanship for a period of one (1) year from the date of sale. The warranty shall not apply to any *Gaplock GDO* which has been repaired, altered or modified, or which has been subject to misuse, abuse, neglect, shipping or environmental damage, vandalism, or acts of God. THE WARRANTIES CONTAINED HEREIN ARE EXPRESSLY MADE IN LIEU OF ANY AND ALL OTHER WARRANTIES, EXPRESS OR IMPLIED, AND THE WARRANTIES OF MERCHANTABILITY AND FITNESS OR A PARTICULAR PURPOSE ARE EXPRESSLY DISCLAIMED. AST's obligations under this warranty shall be limited to, at AST's option, repair or replacement of *Gaplock GDO*, or payment of the cost of having *Gaplock GDO* repaired or replaced by AST. Buyer shall pay the cost of returning *Gaplock GDO* to AST; AST shall pay the cost of returning the repaired or replaced *Gaplock GDO* to Buyer.

Jurisdiction, Governing Law:

Buyer agrees that the exclusive jurisdiction and venue of any action with respect to *Gaplock GDO* shall be in the Superior Court of California for the County of Ventura and Buyer hereby submits to the exclusive jurisdiction and venue of such court for the purpose of any such action. Buyer agrees that the action shall be governed by California law.

Gaplock GDO

Automated Security Technologies, Inc
2470 Stearn St. #249, Simi Valley, CA 93063

astlocks.com