

B Lock

...**ADVANCED OVERHEAD DOOR SECURITY**

Operation and Installation Manual

- Automatically locks commercial, residential and delivery truck sectional roll-up overhead doors every time they're closed.
- Manually unlock door while B Lock foot pedal release is depressed.
- Mounts inside, on the door track, on either side of an overhead door to prevent tampering and incidental damage. (Requires 2" of clearance between door track and first obstruction, such as a wall)
- Models available (B Lock e & B Lock e Plus) with electronic unlocking, are compatible with any access control system (source) capable of supplying the switched voltage & amperage required for the B Lock model used.
- Models available (B Lock Plus & B Lock e Plus) with door and lock position sensors that detect when the overhead door is not closed and locked. Independent (N/O - N/C) SPDT switches integrate with security systems and automated overhead door openers.

Source voltage and amperage output capabilities must correctly match input voltage & amperage requirements of B Lock model used, see below:

B Lock Models	Unlock Activation	Voltage & Amperage	Position Sensors
B Lock	Manual		
B Lock Plus	Manual		Door & Lock
B Lock e - 12vdc	Manual and Electronic	12vdc - 1600ma	
B Lock e - 24vdc	Manual and Electronic	24vdc - 1000ma	
B Lock e Plus - 12vdc	Manual and Electronic	12vdc - 1600ma	Door & Lock
B Lock e Plus - 24vdc	Manual and Electronic	24vdc - 1000ma	Door & Lock

When locking an overhead door equipped with an automated opener, B Lock e Plus is recommended. Integrating the lock position sensor with the automated opener, so that the door must be unlocked before the opener can be activated to open the door, is strongly advised.

WARNING: To Prevent Serious Injury or Death

1. **READ AND FOLLOW ALL SAFETY, INSTALLATION AND OPERATION INSTRUCTIONS.**
2. Keep people clear of opening while Door is moving.
3. DO NOT allow children to play with the Door operator controls.
4. DO NOT operate a Door that jams or one that has a broken spring.
5. DO NOT try to remove, repair or adjust springs or anything to which Door spring parts are fastened, such as wood blocks, steel brackets, cables or other like items.
6. Have B Lock installed by a professional.
7. All wiring is to be employed as required by local codes.

IMPORTANT SAFETY INFORMATION

An Overhead Door (Door) is a large, heavy object that moves with the help of springs under high tension and an electric motor. Since moving objects, springs under tension and electric motors can cause injuries, your safety and the safety of others depends on you reading and following the information in this manual. If you have questions or do not understand the information presented, email: tech@astlocks.com.

IMPORTANT

When locking an overhead door equipped with an automated opener, B Lock e Plus is recommended. Integrating the lock position sensor with the automated opener, so that the door must be unlocked before the opener can be activated to open the door, is strongly advised.

B Lock Manual Release Instructions

Locate and depress the red manual release foot pedal below B Lock. The door is manually unlocked only while release pedal is depressed.

B Lock Wire Color Codes

<u>Door Position Sensor</u>	<u>Lock Position Sensor</u>	<u>Solenoid</u>
White - Common	Brown - Common	Red & Black
Orange - Normally-Open	Yellow - Normally-Open	
Blue - Normally-Closed	Green - Normally-Closed	

INSULATE ALL CONNECTIONS

B Lock Wiring Instructions

B Lock POSITION SENSORS - TO SECURITY SYSTEMS:

Each Sensor to separate Security System Zone Inputs:

Wire each sensor per security system requirements - see wire color codes above.

Both Sensors to the same Security System Zone Input:

Wire sensors together as required by security system (N/O - N/C).

Normally-Open (N/O) Security System Requirement:

Connect security system wires to the - Brown* & White B Lock wires

Connect these B Lock wires together - Yellow & Blue

Connect these B Lock wires together - Brown & Orange

* Connect B Lock Brown & Orange wires to one of the (two) security system wires and White to the other.

Normally-Closed (N/C) Security System Requirement:

Connect security system wires to the - Brown & White B Lock wires

Connect these B Lock wires together - Yellow & Blue

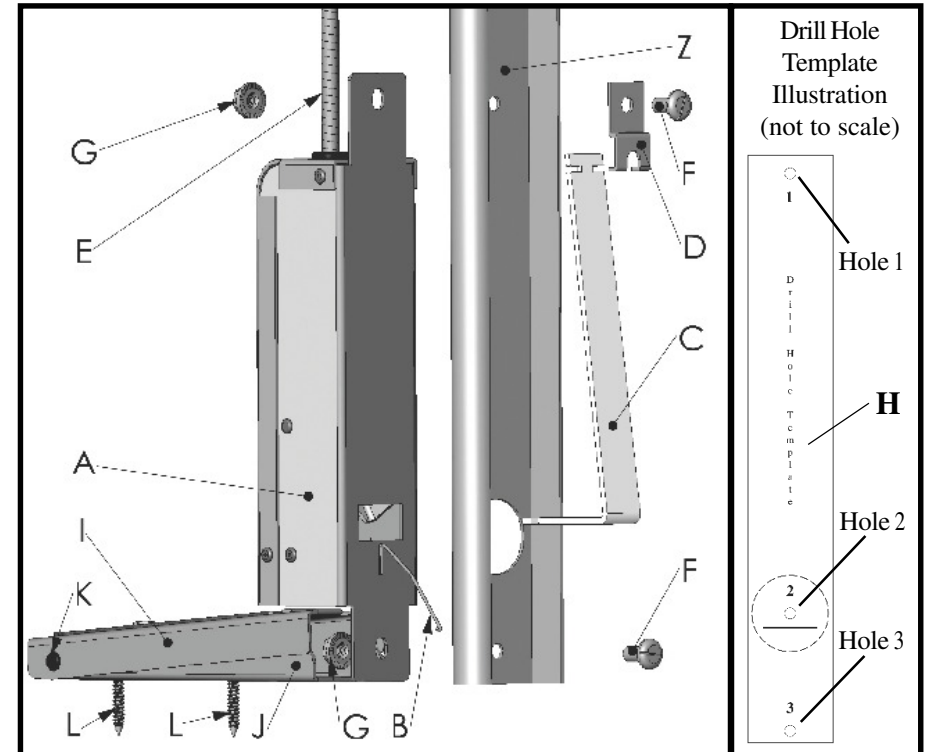
(Insulate and DO NOT use the Green & Orange B Lock wires)

B Lock SOLENOID WIRES:

Connect B Lock solenoid wires (Black & Red - polarity not important) to access control system capable of supplying the voltage & amperage required for the B Lock model being installed (see chart on front page of this manual).

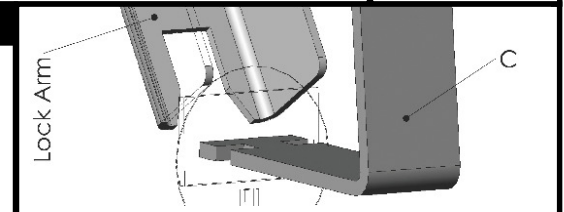
Integrating B Lock e Plus with an Automated Door Opener:

This procedure requires the use of relays to integrate the automated opener's door open button with B Lock e Plus (and through the lock position sensor). Only those skilled in the use and operation of relays should perform integration.



Parts List

- A:** B Lock
- B:** Door Sensor Spring
- C:** Lock Bar
- D:** Lock Bar Hinge
- E:** B Lock Wires (8")
- F:** 1/4" Bolt (x2)
- G:** 1/4" Nut (x2)
- H:** Drill Hole Template
- I:** Pedal Top
- J:** Pedal Bottom
- K:** Pedal Hinge Pin (x2)
- L:** #10 x 1" Hex Screw (x2)
- Z:** Door Track



Tools Required For Installation

- Drill
 - Hammer Drill
 - 1/4" Drill Bit
 - 1/4" Concrete Drill Bit
 - 1-1/4" Hole Saw
 - Small Round File
 - Screwdriver
 - 7/16" Wrench*
 - 5/16" Nut Driver*
 - 1/4" Nut Driver*
 - Wire Cutters
 - Wire Strippers
- * or equivalent tool

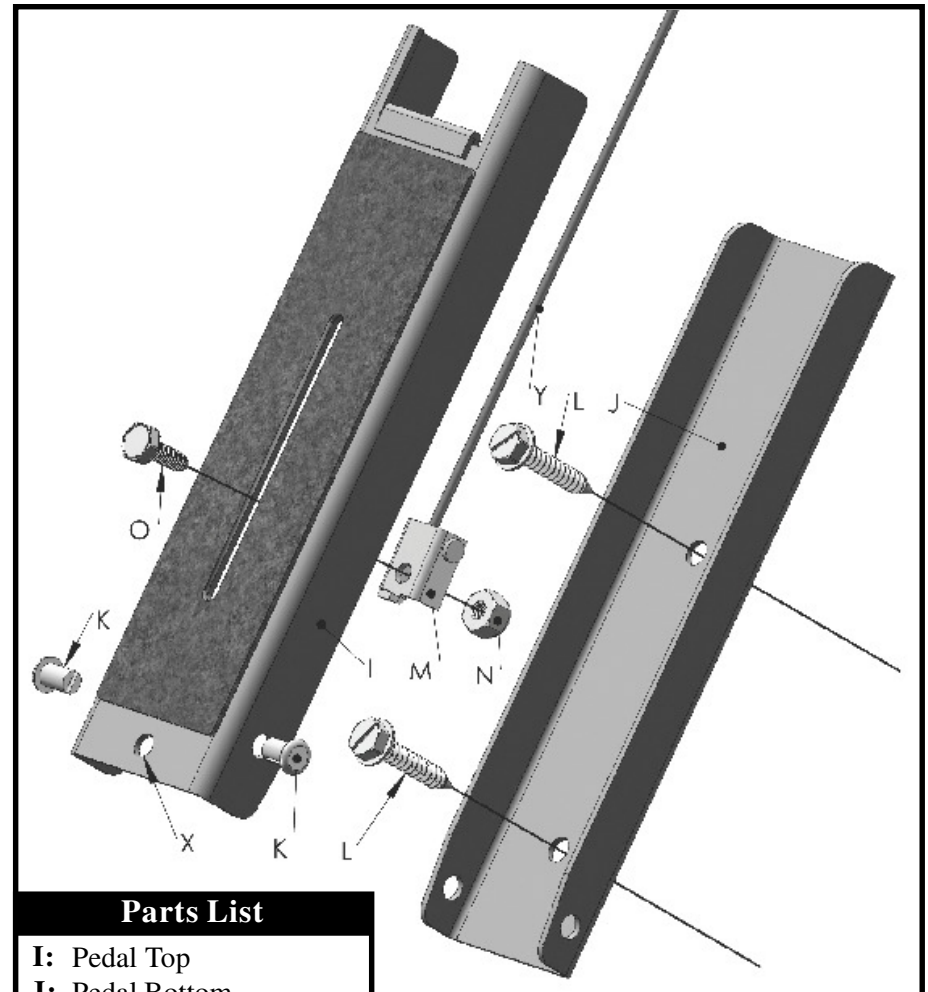
B Lock Installation Instructions

Be sure to follow and complete all twenty three (23) steps

B Lock (Lock) Installation Instructions: (Steps 1-11)

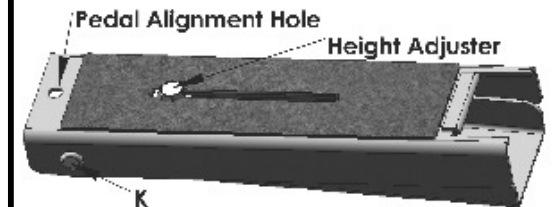
1. With overhead door closed completely, align supplied drill hole template on the inside of door track (Z) on either side of door, so that (hole 1) is on top and the dark horizontal line (within large dotted circle) is positioned right above bottom wheel of door (not more than 5" up from floor). DO NOT align dark horizontal template line more than 5" up from floor.
2. Place a mark on inside of track through (hole 2) of template, then remove template and open overhead door.
3. Realign template inside track so that (hole 1) is on top and the mark previously placed on track is visible through (hole 2) in template, then place additional marks onto inside of track through (holes 1 & 3) of template.
4. Drill 1/4" holes at the marks placed through template (holes 1 & 3) using a 1/4" drill bit and a 1 1/4" hole at the mark placed through template (hole 2) using a 1 1/4" hole saw.
Deburr holes using a small round file.
5. Align B Lock (A) vertically with track so that holes drilled in track align with mating holes in B Lock. When installing B Lock Plus or B Lock e Plus, make certain that the door sensor spring is positioned through (hole 2).
6. Insert supplied 1/4" bolt (F) through (hole 3) in track and slot at bottom of B Lock, loosely secure with supplied 1/4" (G) nut.
7. Insert shorter end of supplied lock bar (C) through (hole 2) in track and into B Lock and interlock lock bar with lock arm, by sliding slotted end of lock bar up lock arm.
8. Align supplied lock bar hinge (D) onto top of lock bar.
9. Insert supplied 1/4" bolt (F) through lock bar hinge, (hole 1) in track and upper slot in B Lock, loosely secure with supplied 1/4" nut (G).
10. Check lock bar movement through track and align B Lock to ensure smooth operation.
11. Tighten 1/4" nuts and bolts with a screwdriver and 7/16" wrench (or equivalent tool).

Installation Instructions continued on next page...



Parts List

- I: Pedal Top
- J: Pedal Bottom
- K: Pedal Hinge Pin (x2)
- L: #10 x 1" Hex Screw (x2)
- M: Height Adjuster
- N: #8 Lock-Nut
- O: #8 x 1/2" Hex Bolt
- X: Pedal Alignment Hole
- Y: Cable



B Lock Foot Pedal Release

B Lock Wire Color Codes

Solenoid	Door Position Sensor	Lock Position Sensor
Red & Black	White - common	Brown - common
	Orange - N/O	Yellow - N/O
	Blue - N/C	Green - N/C

B Lock Installation Instructions (cont'd)

B Lock Foot Pedal Release Installation Instructions: (Steps 12-21)

- Align pedal bottom (J) on the floor right below B Lock, typically parallel to wall, and up to a 90° angle with wall (parallel with door track - *space 1/2" away from track*), and place marks on floor through both (7/32") pedal bottom mounting holes.

Make certain that when pedal top (I) is installed, the mounting position of pedal bottom DOES NOT interfere with the use of any overhead door security closure and that easy access (for unlocking door) to B Lock foot pedal release is provided.

- Remove pedal bottom and carefully drill 1/4" holes (1 1/4" deep into floor) at the previously placed marks, using a hammer drill and 1/4" concrete drill bit.
- Firmly insert provided #10 tri-lobe (green) screw anchors into 1/4" holes drilled into floor.
- Insert #10 x 1" hex screws (L) through pedal bottom mounting holes and thread into previously placed (green) anchors, tighten with 5/16" nut driver (or equivalent tool).
- Insert raised tab on height adjuster (M) into long slot in pedal top (I), so that cable (Y) attached to B Lock is the facing large cut-out on top (front) of pedal top.
- Insert provided #8 lock-nut (N) into height adjuster, so that it is aligned with hole in top of adjuster.
- While holding adjuster and #8 nut in place, insert provided #8 x 1/2" hex bolt (O) through pedal top slot, adjuster hole and into nut, then loosely secure adjuster with 5/16" nut driver (or equivalent tool).
- Set pedal top onto pedal bottom (J), so that the bottom (back) edge of pedal bottom is visible through (and centered in) pedal alignment hole (X) in pedal top.
- Insert a provided pedal hinge pin (K) completely through hole on (each) side of pedal top (at back), and mating hole(s) in pedal bottom. Shift pedal top (as needed) to align.
- While depressing B Lock foot pedal release down completely, pull height adjuster down slot in pedal top (towards back of release and until lock bar is flush against inside of door track) and securely tighten with 5/16" nut driver (or equivalent tool).

B Lock Wires Connection Instructions: (Steps 22 & 23)

- When installing B Lock e or B Lock e Plus, carefully connect B Lock solenoid wires to output (wires) of electronic activation source. Polarity of B Lock solenoid wires is not important. See B Lock wire color codes (and page 3) for additional information.
- When installing B Lock Plus or B Lock e Plus, carefully connect B Lock door and lock position sensor wires to security system (wires) and/or integrate with automated opener. See B Lock wire color codes (and page 3) for additional information.

Limitation of Liability:

The maximum liability of Automated Security Technologies, Inc. (AST) to Buyer or any person or entity, based on, arising out of or in connection with the delivery, non-delivery, sale, installation, use or other employment of B Lock, whether for personal injury, wrongful death, property damage, or otherwise, shall in no case exceed the actual cost of B Lock. AST SHALL NOT BE LIABLE FOR ANY SPECIAL, INCIDENTAL, INDIRECT OR CONSEQUENTIAL DAMAGES OR FOR LOSS OF REVENUE EVEN IF THE DAMAGE, INJURY OR LOSS IS CAUSED BY THE NEGLIGENCE OR FAULT OF AST.

Limited Warranty:

AST warrants that B Lock will be free from defects in materials and workmanship for a period of one (1) year from the date of sale. The warranty shall not apply to any B Lock which has been repaired, altered or modified, or which has been subject to misuse, abuse, neglect, shipping or environmental damage, vandalism, or acts of God. THE WARRANTIES CONTAINED HEREIN ARE EXPRESSLY MADE IN LIEU OF ANY AND ALL OTHER WARRANTIES, EXPRESS OR IMPLIED, AND THE WARRANTIES OF MERCHANTABILITY AND FITNESS OR A PARTICULAR PURPOSE ARE EXPRESSLY DISCLAIMED. AST's obligations under this warranty shall be limited to, at AST's option, repair or replacement of B Lock, or payment of the cost of having B Lock repaired or replaced by AST. Buyer shall pay the cost of returning B Lock to AST; AST shall pay the cost of returning the repaired or replaced B Lock to Buyer.

Jurisdiction, Governing Law:

Buyer agrees that the exclusive jurisdiction and venue of any action with respect to B Lock shall be in the Superior Court of California for the County of Ventura and Buyer hereby submits to the exclusive jurisdiction and venue of such court for the purpose of any such action. Buyer agrees that the action shall be governed by California law.

B Lock

Automated Security Technologies, Inc
2470 Stearn St. #249, Simi Valley, CA 93063

astlocks.com